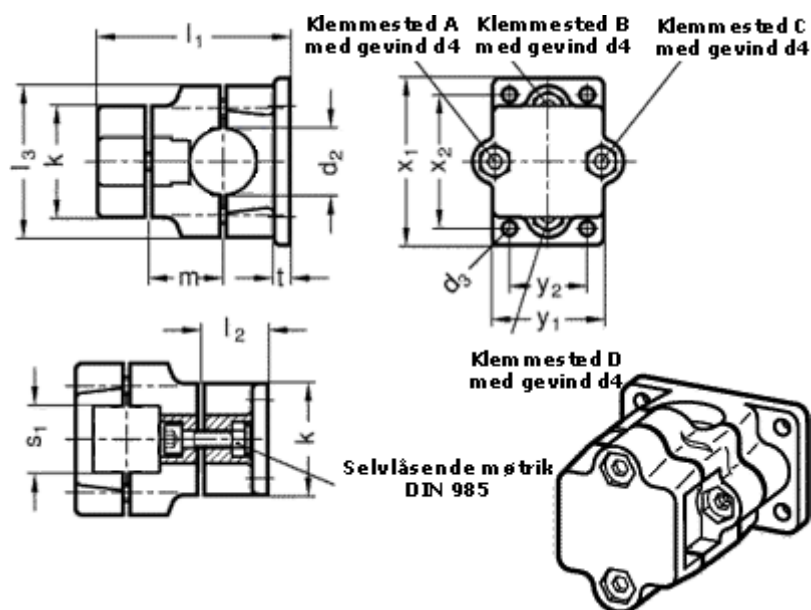


Article number: 20141V50B502BL

Description: E+G two-way connecting clamp  
GN141-V50-B50-2-BL

## Measures



Adjustable clamp lever = GN 911-M10-63 have to be ordred separately

$d_2$  = 50

$d_3$  = 11

$d_4$  = M10

$k$  = 76

$l_1$  = 136

$l_2$  = 46

$l_3$  = 98

$m$  = 55

$s_1$  = 50

$t$  = 14

$x_1$  = 115

$x_2$  = 90

$y_1$  = 76

$y_2$  = 50